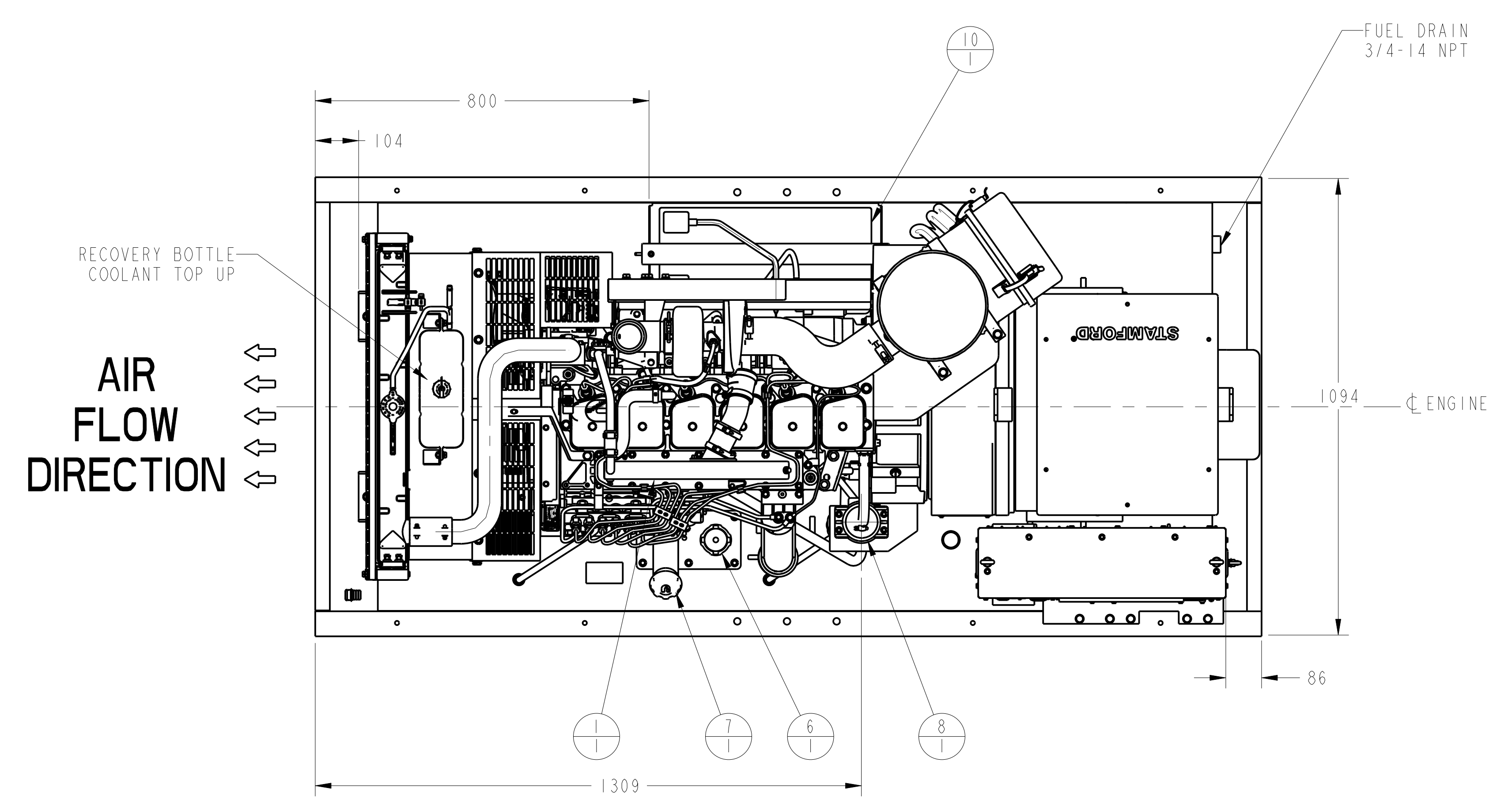
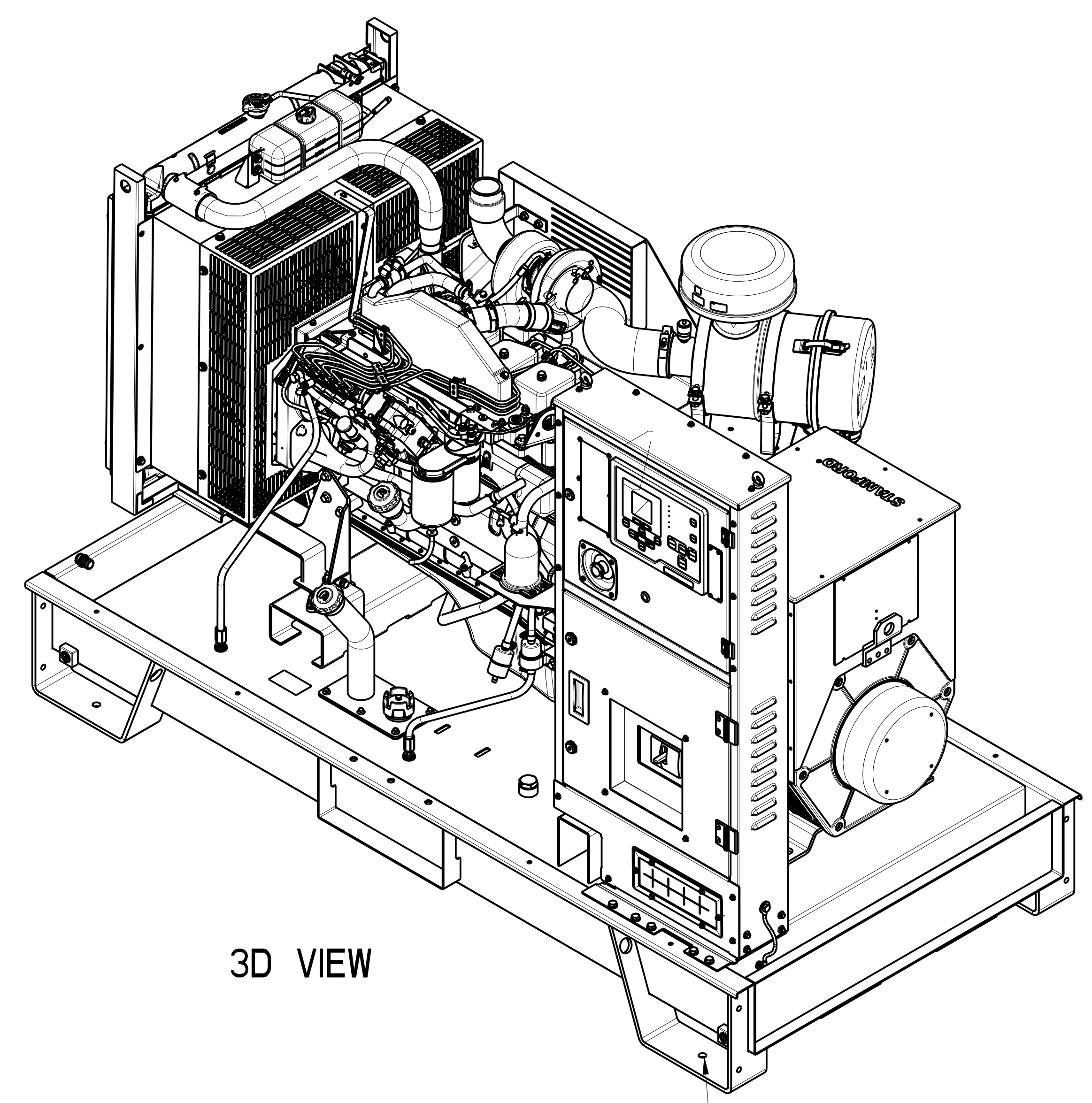
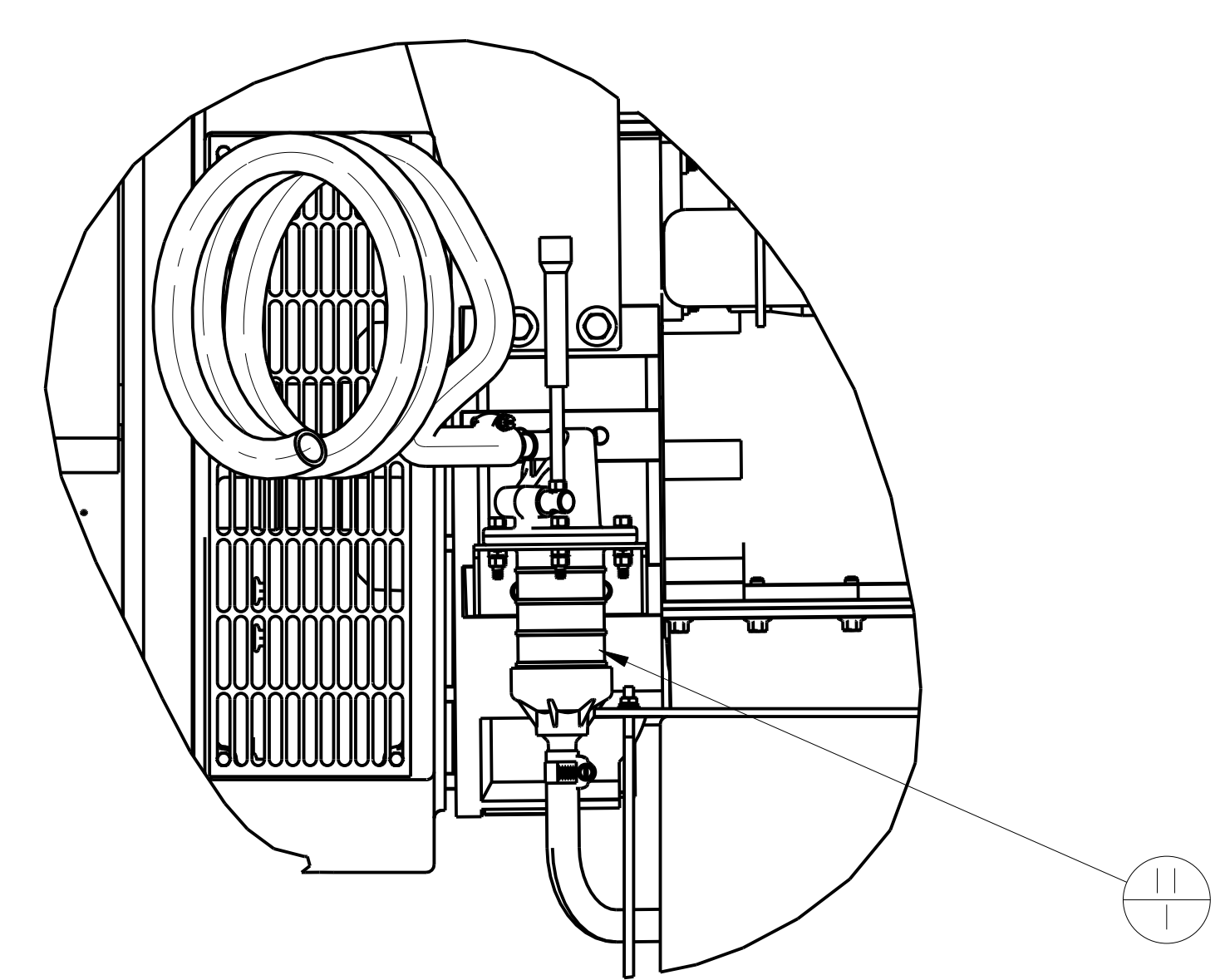
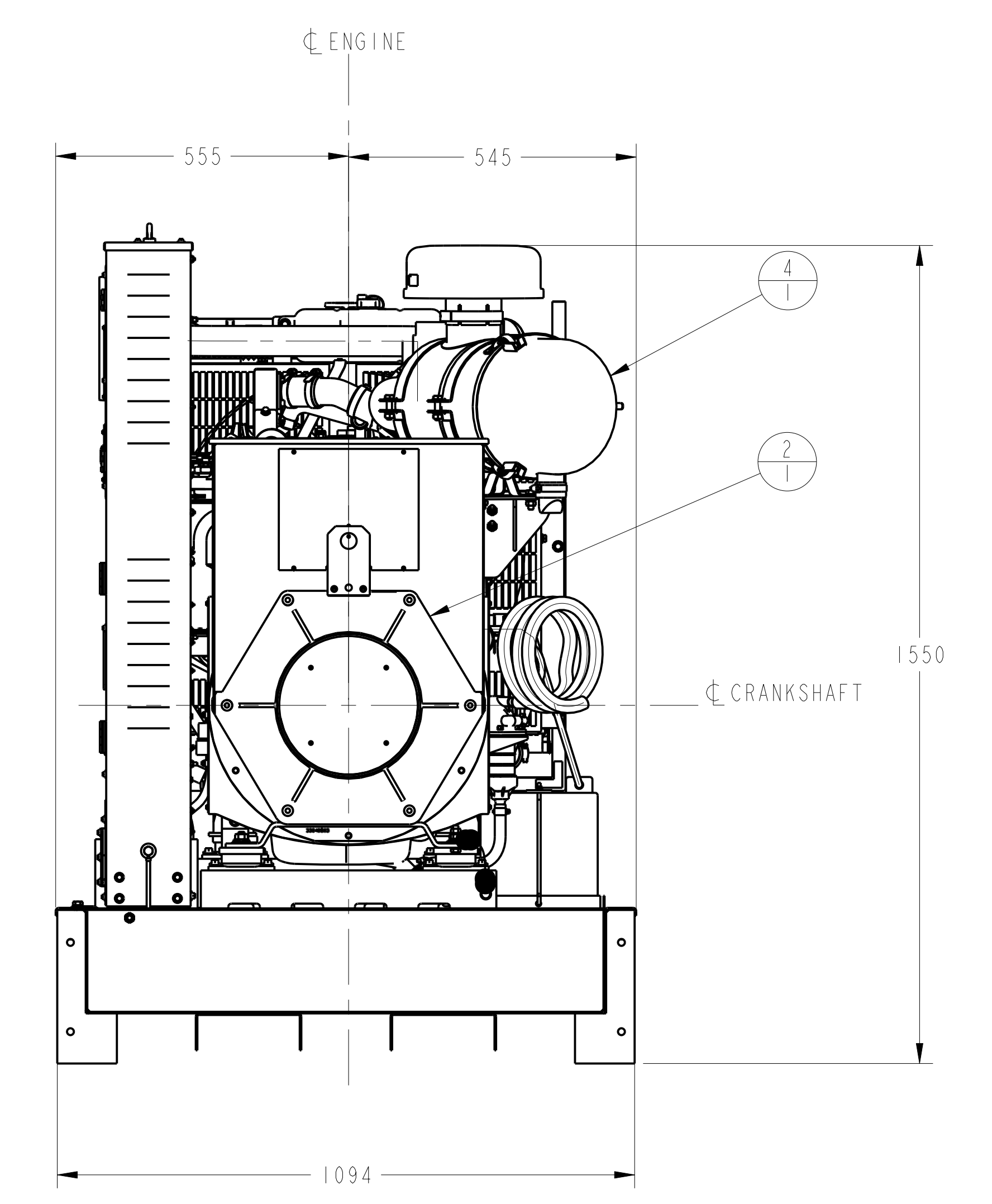
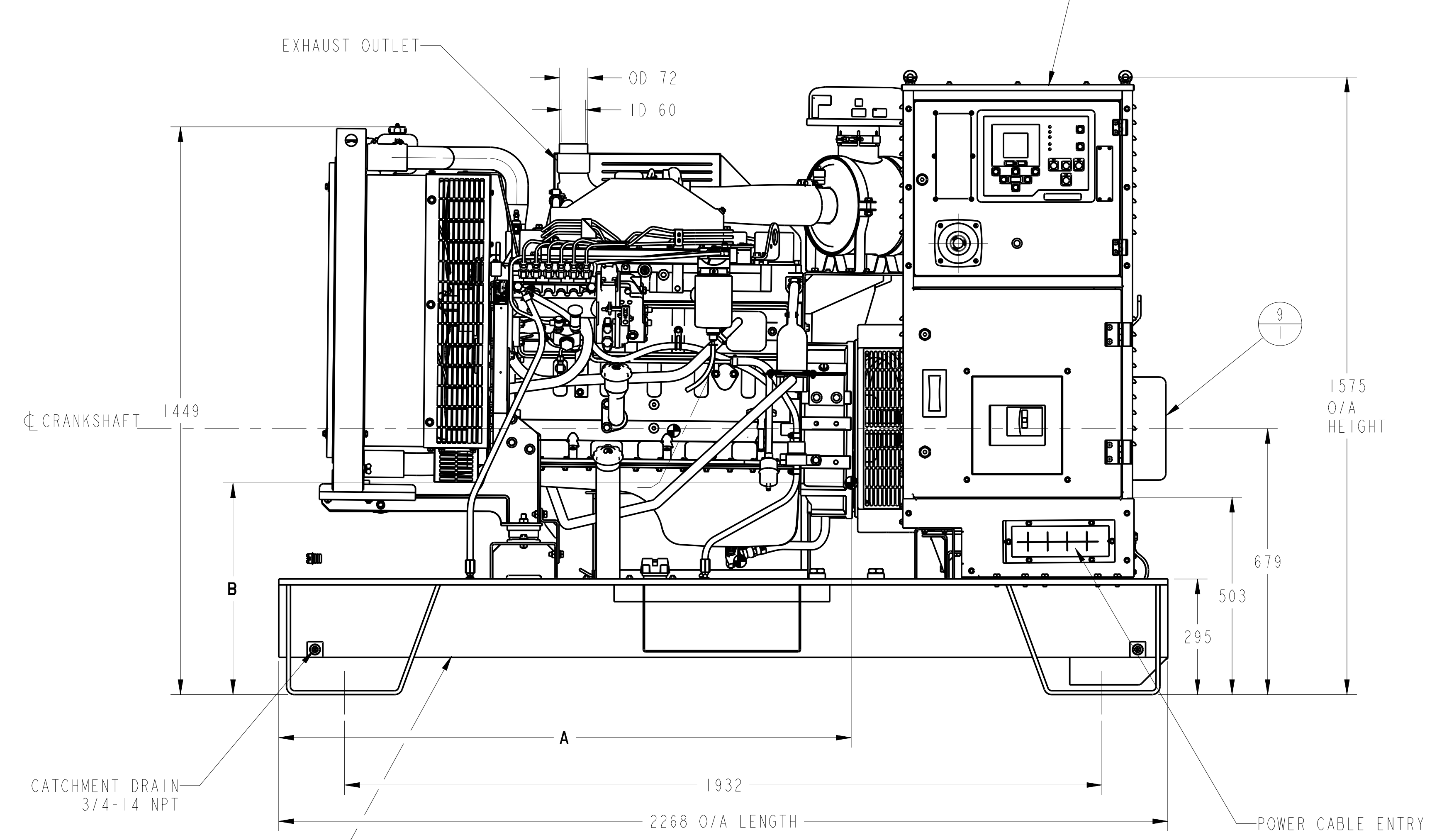
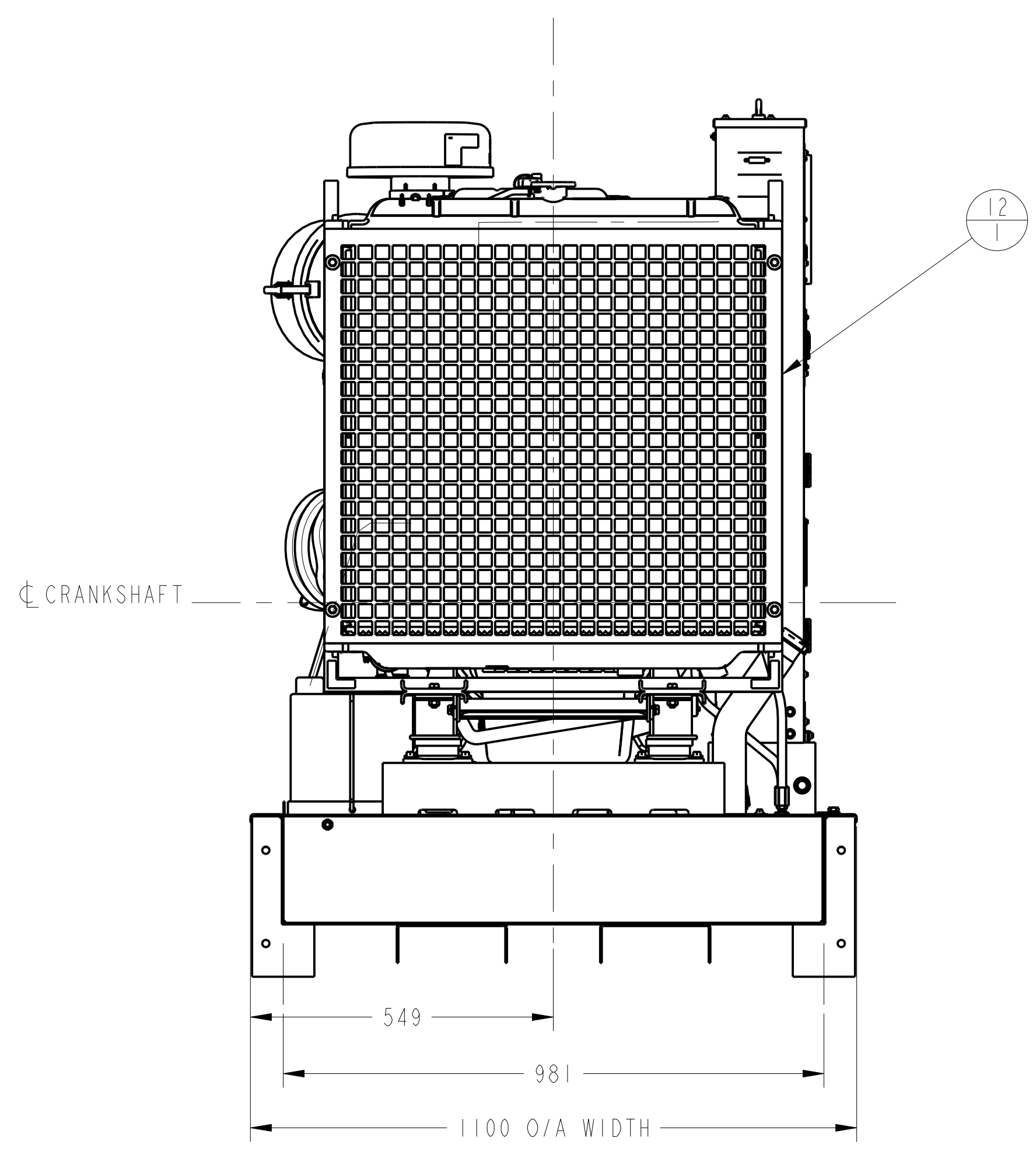


- NOTES:
- VIEWS SHOWS STANDARD BASE SKID
  - FUEL TANK CAPACITY 350 Lts APPROX
  - CUSTOMER LOAD CABLES TO BE FLEXIBLE TO ALLOW MOVEMENTS OF GENSET ON ANTI VIBRATION MOUNTS



ENGINE

4 HOLES Ø18



SCALE 1/4

WEIGHT DATA (APPROX)							
S/N	GENSET MODEL	ENGINE MODEL	ALTERNATOR WEIGHT (Kg)	GENSET DRY WEIGHT (Kg)	GENSER WET WEIGHT (Kg)	CG LOCATION	
						DIM A	DIM B
1	C90D5	6BTA5.9-G5	UC1224G	1253	1979	1460.5	540
			UC1274C	1272	1998		
2	C110D5	6BTA5.9-G5	UC1274C	1272	1998	1468.5	541.5
			UC1274D	1296	2022		
3	C80D6	6BTA5.9-G6	UC1224G	1253	1979	1468.5	541.5
			UC1274C	1272	1998		
4	C110D6	6BTA5.9-G6	UC1274C	1272	1998	1492.9	543.6
			UC1274D	1296	2022		

1	12	REF ONLY	INSTALLATION,RADIATOR
1	11	REF ONLY	INSTALLATION,OIL DRAIN
1	10	REF ONLY	INSTALLATION,BATTERY
1	9	REF ONLY	INSTALLATION,EXCITATION BOOST SYSTEM
1	8	REF ONLY	INSTALLATION,HEATER
1	7	REF ONLY	INSTALLATION,FILLER NECK
1	6	REF ONLY	SWITCH,FUEL LEVEL
1	5	REF ONLY	INSTALLATION,CONTROL PANEL
1	4	REF ONLY	INSTALLATION,AIR FILTER
1	3	REF ONLY	INSTALLATION,CHASSIS
1	2	REF ONLY	INSTALLATION,GENERATOR
1	1	REF ONLY	ENGINE,DIESEL

UNLESS OTHERWISE SPECIFIED, ALL DIMENSIONS ARE IN MILLIMETERS		DRN: V.PASARAD	CUMMINS POWER GENERATION	
DO NOT SCALE PRINT		CD: B.KULKARNI	OUTLINE, GENSET	
APVD: A.GADKARI		DATE: 10 JAN 12	SITE CODE: OPEN	
ANG TOL: ± 1.0°		SCALE: 1/8	SHEET 1 OF 1	
PROPERTY OF CUMMINS POWER GENERATION GROUP		FOR INTERPRETATION OF DIMENSIONS AND TOLERANCES, REFER TO: 11.0-01-004	6B URJA CIL	
		FIRST USED ON: 6B URJA CIL		A040Z025